

Dimmable LED Drivers—LKAD013D-T

—产品特性/Feature—

- 200-240VAC (50/60Hz) 输入 / 200-240VAC (50/60Hz) Input
- 隔离方案, 前切 (或后切) / 电子式, 可控硅调光, 调光非常流畅 / Isolated, leading (or trailing)/MOS triac dimming, dimming much smoothly;
- 高效率、高功率因素, 稳定性好 / High efficiency, high PF, good steady;
- 短路保护, 过流保护, 过压保护, 过温保护 / Short circuit, over voltage, over current and over temperature protection;
- 100%满载老化测试 / 100% full load burn-in test;
- 兼容市面上绝大部分调光控制系统 (98%以上)。Compatible with most dimming control systems on the market
- 独立外置, Class II 恒流类型 / independent, Class II constant current type;
- 防护等级 IP20 / degree of protection IP20;
- 采用自主知识产权单片机控制方案, 可以做到0.1%调光解晰度 / By adopting the control scheme of single chip microcomputer with independent intellectual property rights, 0.1% dimming resolution can be achieved
- lighting, ceiling light, down light and panel light;
- 3年质保期 / 3 years warranty.



产品参数/Specification

Model	LKAD013D-T	
输入 Input	输入电压范围/Input Voltage range	200-240V
	频率/Frequency	50/60hz
	谐波/THD	
	功率因数/Power factor	0.60/220VAC
	输入电流 Input current (mA)	400MA Max
	待机功耗 stand_by power	≤1W
	浪涌电流 Inrush Current(Max.)	≤30A@230VAC
	漏电流 Leakage Current	
输出 Output	额定电压/Rated voltage	40V
	空载电压/No-load Voltage	45V
	工作电压范围/working voltage range	25-42V
	可选择电流规格/selectable current specs	400MA
	电流精度/Current precision	(+/-) 3%
	额定功率/Rated power	16W
	开机延时/Setup Time	≤0.5s/230VAC
	输出线性调整率Output Line Regulation	≤3%
	温度漂移temperature drift	≤3%
保护特性	开路保护Output open circuit	≤45V
	短路保护Short Circuit Protec	打嗝模式/Hiccup mode

使用环境 Environment Requirement	工作温度/湿度要求 Operating Temp./RH	-30~+45°C/20~95%	
	储存温度,湿度要求 Storage Temp./RH	-40~+80°C/10~95%	
安全和电磁兼容 Safety & EMC	认证编号/Certificate	符合CE/ meet CE	
	耐压 withstand voltage	3750MA/60S	
	绝缘阻抗insulation resistance	500V>100M	
	浪涌等级EMS immunity	IEC6100-4-5(L-N:1KV)	
	安规标准Safety standard	EN61347, GB19510	
	电磁干扰electromagnetic interference		
其他 Others	电磁抗干扰Electromagnetic Susceptibility		
	IP等级说明 IP level description	IP20	
	质保说明Warranty instruction	3年/3 years	
	尺寸/Size	115*40*25MM	
	重量/Netweight	125g	
注意事项 matters needing attention	<p>1. 建议客户在灯具供电回路中安装过欠压保护与浪涌保护装置, 以确保用电安全 1. pls suggest the client to install the under voltage protection device and surge protection device to ensure Electricity safety</p> <p>2. 电源作为整灯灯具中的一个零部件与终端设备结合使用, 因EMC性能受LED灯具及走线的影响, 终端设备制造商需对整套装置重新进行EMC确认。 2. The power supply is considered a component which will be installed a final equipment. The final equipment must be re-confirmed that it still meets EMC directives.</p> <p>3. 客户在使用电源时, 注意电源通风散热和环境温度, 超过TA时要做降额使用 3. Be careful of ambient temperature and heat dissipation during the client use this unit, When exceeding TA, the power supply shall be derated</p>		

测试数据/Test data

输入电压 Input voltage	输入电流 Input current	输入功率 Input power (W)	功率因数 PF	输出电压 Output voltage	输出电流 Output current	输出功率 Output	转换效率 Efficiency (%)	谐波系数 THD
200	125.20	13.76	0.543	30.00	344	10.32	75.0%	
	145.30	16.11	0.548	36.00	346	12.46	77.3%	
	169.80	19.06	0.555	42.00	349	14.66	76.9%	
230	117.30	13.74	0.535	30.00	344	10.32	75.1%	
	136.20	16.12	0.537	36.00	346	12.46	77.3%	
	154.40	18.45	0.541	42.00	348	14.62	79.2%	
240	110.20	13.83	0.522	30.00	344	10.32	74.6%	
	127.20	16.39	0.529	36.00	345	12.42	75.8%	
	144.70	18.58	0.533	42.00	348	14.62	78.7%	

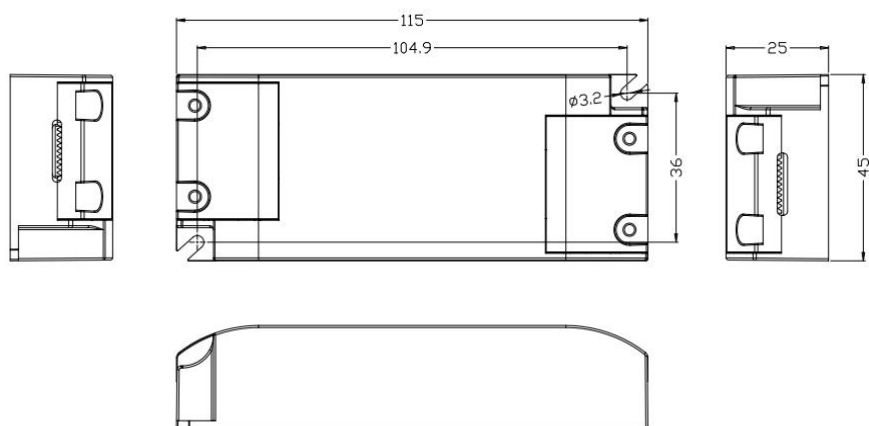
调光测试效果Dimming effect

(负载50V测试/Test load voltage 50V)

编号 NO	调光器型号 Dimmer Type	最小电流 Min current(mA)	最大电流 Max current	调光比 Dimming ratio	调光效果 Dimming effect
1	KEEY 220V~	0MA	347	0-100%	OK
2	EUPCHIPS 500W 105EI	10MA	347	10-100%	调光流畅, 调光比稍大
3	TENGEN	0MA	347	0-100%	OK

4	T & J 630W	OMA	347	0-100%	OK
5	snaider 15-450W	46MA	347	0-100%	OK
6	T & J 1000W	OMA	347	0-100%	OK
7	Midea 630W	OMA	347	0-100%	OK
8	CHNT 500W	OMA	347	0-100%	OK
9	JUNON	OMA	347	0-100%	OK
10	UK-PRD400VA 150W	196MA	346	0-100%	OK
11	LTECH 300W	OMA	347	0-100%	OK
12	LINKUN 300W	OMA	346	0-100%	OK

产品尺寸图/ Product Size Diagram



产品接线示意图/ Product Connection Diagram



1. 所有没提及到的参数都是在230V输入，额定负载和在周围温度为25°C的情况下测试的；
All parameters NOT specially mentioned are measured at 230VAC input, rated load and 25 of ambient temperature;
2. 注意接线的方向，不要搞反输入和输出端，以及拨码开关的位置。

广东领冠智能科技有限公司

Guangdong Linkuan Smart Tech Co.,Ltd

地址：广东省东莞市万江区大莲塘工业区3号
Address: NO.3 Building, Daliantang Industrial Park,
Wanjiang
District, Dongguan, Guangdong, China
Tel: +86-769-23129651 Fax: +86-23129652