

# LKAD034D-C 0-10V调光

## —产品特性/Feature—



- 200-240VAC (50/60Hz) 电压输入, 符合国际通用交流输入范围/ 200-240VAC (50/60Hz) Input, comply with alternating current input range all over the world;
- 隔离方案, 0-10V调光/ Isolated, non-dimmable driver;
- 高效率、高功率因素, 稳定性好/ High efficiency, high PF, good steady;
- 短路保护, 过流保护, 过压保护, 过温保护/ short circuit/over load/over current/ over temperature protection;
- 自然风冷/ cooling by free air convection;
- 100%满载老化测试/ 100% full load burn-in test;
- 独立外置, Class II 恒流类型/ independent, Class II constant current type;
- 防护等级 IP20/ degree of protection IP20;
- 适用于面板灯/天花灯/筒灯等照明应用/ suitable for LED lighting, ceiling light, down light and panel light;
- 5年质保期/ 5 years warranty.



## 产品参数/Specification

| Model                               | LKAD034D-C                      |                           |
|-------------------------------------|---------------------------------|---------------------------|
| 输出<br>Output                        | 电压/Rated voltage                | 40V                       |
|                                     | 空载电压/No-load Voltage            | 45V                       |
|                                     | DC电压范围/DC voltage range         | 26-40V                    |
|                                     | DC电流范围/DC current range         | 680mA                     |
|                                     | 电流精度/Current precision          | (+/-) 3%                  |
|                                     | 额定功率/Rated power                | 28W                       |
|                                     | 开机延时/Setup Time                 |                           |
| 输入<br>Input                         | AC电压范围/AC Voltage range         | 200-240Vac                |
|                                     | 频率/Frequency                    | 50/60hz                   |
|                                     | 谐波/THD                          | ≤15%                      |
|                                     | 功率因数/Power factor               | 0.56/230VAC               |
| 使用环境<br>Environment<br>Requirements | 工作温度/湿度要求<br>Operating Temp./RH | -30~+50°C/20~95%          |
|                                     | 储存温度, 湿度要求<br>Storage Temp./RH  | -40~+80°C/10~95%          |
| 安全和电磁兼容                             | 认证编号/Certificate                | IEC61347-2-13 EN6147-2-13 |
|                                     | 安全规范/Safety standard            |                           |
|                                     | 电磁兼容/EMC compliance             |                           |
|                                     | 耐压/Withstand voltage            |                           |
| 其他                                  | 尺寸/Size                         |                           |
|                                     | 重量/Net weight                   |                           |

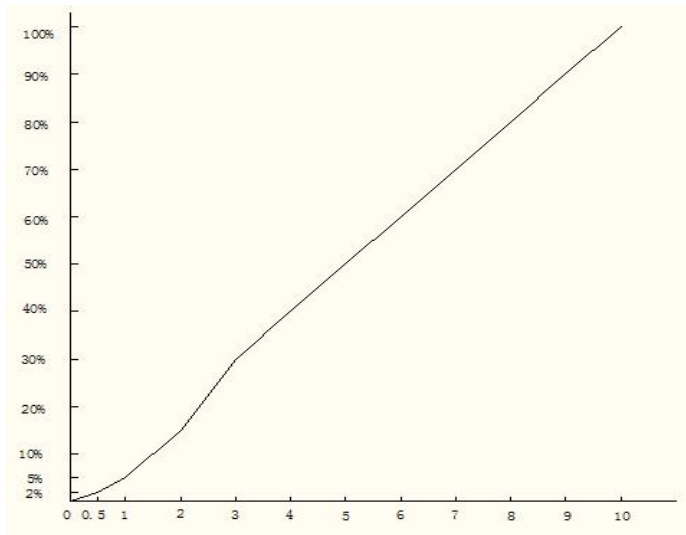
测试数据/Test data

| 输入电压<br>Input voltage<br>(Vac) | 输入功率<br>Input power<br>(W) | 输入电流<br>Output<br>current<br>(mA) | 功率因数 PF | 输出电压<br>Output voltage<br>(Vdc) | 输出电流<br>Output current<br>(mA) | 输出功率<br>Output<br>Power (W) | 转换效率   |
|--------------------------------|----------------------------|-----------------------------------|---------|---------------------------------|--------------------------------|-----------------------------|--------|
| 200                            | 16.30                      | 85.17                             | 0.95    | 20.000                          | 670.00                         | 13.4                        | 82.21% |
|                                | 23.12                      | 119.60                            | 0.97    | 30.000                          | 662.00                         | 19.86                       | 85.90% |
|                                | 29.92                      | 153.40                            | 0.98    | 40.000                          | 658.00                         | 26.32                       | 87.97% |
| 240                            | 16.07                      | 73.25                             | 0.92    | 20.000                          | 662.00                         | 13.24                       | 82.39% |
|                                | 23.11                      | 102.10                            | 0.95    | 30.000                          | 662.00                         | 19.86                       | 85.94% |
|                                | 29.90                      | 130.20                            | 0.96    | 40.000                          | 664.00                         | 26.56                       | 88.83% |

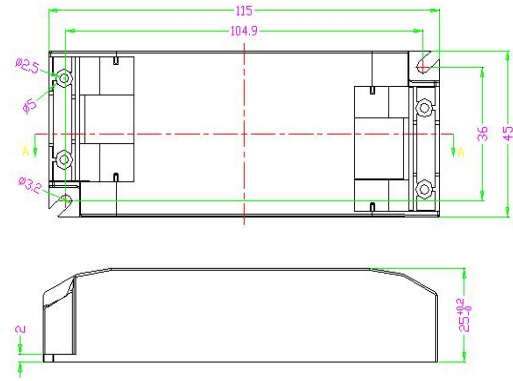
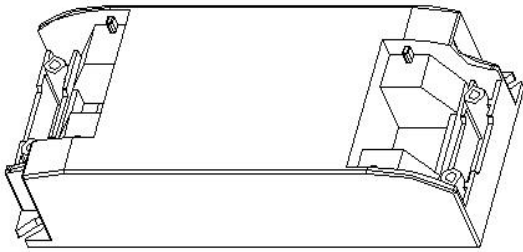
调光测试数据

| 输入电压 | 输入电流   | 输入功率  | 功率因数  | 输出电流(mA) | 输出电压  | 输出功率  | 调光电压<br>(0-10V) |
|------|--------|-------|-------|----------|-------|-------|-----------------|
| 230  | 8.27   | 0.32  | 0.173 | 0.00     | 36    | 0.00  | 0               |
| 230  | 17.95  | 2.14  | 0.526 | 33.00    | 36    | 1.19  | 1               |
| 230  | 32.15  | 5.37  | 0.734 | 94.00    | 36    | 3.38  | 2               |
| 230  | 45.98  | 8.89  | 0.848 | 173.00   | 36    | 6.23  | 3               |
| 230  | 61.07  | 12.63 | 0.902 | 251.00   | 36    | 9.04  | 4               |
| 230  | 76.60  | 16.23 | 0.932 | 334.00   | 36    | 12.02 | 5               |
| 230  | 92.80  | 19.85 | 0.954 | 408.00   | 36    | 14.69 | 6               |
| 230  | 106.50 | 23.30 | 0.962 | 491.00   | 36    | 17.68 | 7               |
| 230  | 122.20 | 27.07 | 0.967 | 560.00   | 36    | 20.16 | 8               |
| 231  | 139.10 | 30.78 | 0.98  | 631.00   | 36.00 | 22.72 | 9               |
| 232  | 145.20 | 32.21 | 0.976 | 662.00   | 36    | 23.83 | 10              |

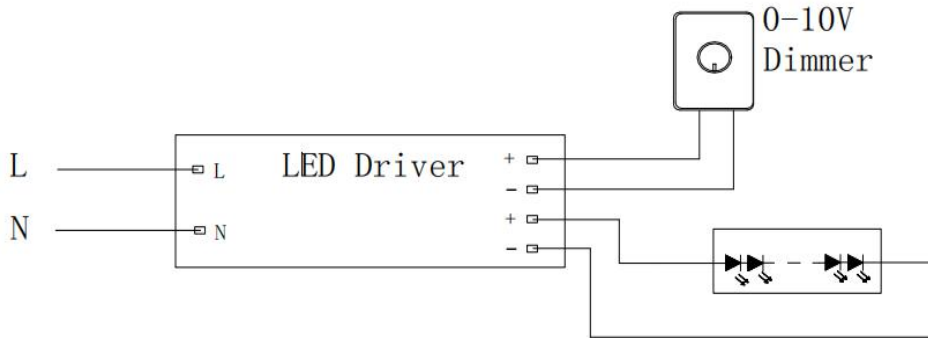
调光曲线图



安装尺寸图/Install Size Diagram



产品接线示意图/ Product Connection Diagram



备注/Note:

1. 所有没提及到的参数都是在230V输入，额定负载和在周围温度为25℃的情况下测试的；  
All parameters NOT specially mentioned are measured at 230VAC input, rated load and 25 of ambient temperature;
2. 本驱动电源是作为一个部件与最终的设备结合进行操作的。因为EMC的性能在电源完全安装后会受到影响，因此最终设备制造商在完成安装后必须重新获取EMC指示认定。  
The LED driver is considered as a component that will be operated in combination with final equipment. Since EMC performance will be affected by the complete installation, the final equipment manufacturers must re-qualify EMC Directive on the complete installation again.
3. 可以直接与LEDs连接，但不适宜与额外的驱动电源使用；  
Direct connecting to LEDs is suggested, but is not suitable for using additional drivers.
4. 为了满足在灯具安装中最后的Erp校准要求，本驱动电源只能在一个不是永久地连接在交流干线的开关后面使用。  
To fulfill requirements of the latest ErP regulation for lighting fixtures, this LED power supply can only be used behind a switch without permanently connect to the mains.

广东领冠智能科技有限公司

地址：广东省东莞市万江区大莲塘工业区3号  
Address: NO.3 Building, Daliantang Industrial Park,  
Wanjiang District, Dongguan, Guangdong, China  
Tel: +86-769-23129651 Fax: +86-23129652