



### —产品特性/Feature—

- 120VAC (50/60Hz) 输入 / 120VAC (50/60Hz) Input
- 隔离方案, 前切 (或后切) / 电子式, 可控硅调光, 调光非常流畅/Isolated, leading (or trailing)/MOS triac dimming, dimming much smoothly;
- 高效率、高功率因素, 稳定性好/ High efficiency, high PF, good steady;
- 短路保护, 过流保护, 过压保护, 过温保护/ Short circuit, over voltage, over current and over temperature protection;
- 100%满载老化测试/ 100% full load burn-in test;
- 兼容市面上绝大部分调光控制系统 (98%以上)。Compatible with most dimming control systems on the market
- 独立外置, Class II 恒流类型/ independent, Class II constant current type;
- 防护等级 IP20/ degree of protection IP20;
- 采用自主知识产权单片机控制方案, 可以做到0.1%调光解晰度/ By adopting the control scheme of single chip microcomputer with independent intellectual property rights, 0.1% dimming resolution can be achieved lighting, ceiling light, down light and panel light;
- 3年质保期/ 3 years warranty.

### 产品参数/Specification

Model		LKAD025D	
输入 Input	输入电压范围/Input Voltage range	120V	
	频率/Frequency	50/60hz	
	谐波/THD	≤10%	
	功率因数/Power factor	0.99/120VAC	
	输入电流 Input current (mA)	260MA	
	待机功耗 stand_by power	≤0.5W/120VAC	
	浪涌电流 Inrush Current (Max.)	≤15A@120VAC	
	漏电流 Leakage Current	<1MA/120V	
输出 Output	额定电压/Rated voltage	40V	
	空载电压/No-load Voltage	≤46V	
	工作电压范围/working voltage range	18-40V	
	额定电流规格/Rated current specification	700mA ± 20MA	
	电流精度/Current precision	(+/-) 5%	
	额定功率/Rated power	28W	
	开机延时/Setup Time	≤0.5s/120VAC	
	输出线性调整率Output Line Regulation	±5%	
	温度漂移temperature drift	±10%	

保护特性	开路保护Output open circuit protection	有/Enable	
	短路保护Short Circuit Protection	打嗝模式/Hiccup mode	
使用环境 Environment Requirements	工作温度/湿度要求 Operating Temp./RH	-30~+45℃/20~95%	
	储存温度,湿度要求 Storage Temp./RH	-40~+80℃/10~95%	
安全和电磁兼容 Safety & EMC	认证编号/Certificate	符合CE/ meet CE	
	耐压 withstand voltage	3750MA/60S	
	绝缘阻抗insulation resistance	500V>100M	
	浪涌等级EMS immunity	IEC6100-4-5 (L-N:1KV)	
	安规标准Safety standard	EN61347, GB19510	
	电磁干扰electromagnetic interference	EN55015, EN61000-3-2	
	电磁抗干扰Electromagnetic Susceptibility	EN61000-4-2. 3. 4. 5. 6. 8. 11. EN61547	
其他 Others	IP等级说明 IP level description	IP20	
	质保说明Warranty instructions	3年/3 years	
	尺寸/Size	75*25MM	
	重量/Netweight	105g	
注意事项 matters needing attention	<p>1. 建议客户在灯具供电回路中安装过欠压保护与浪涌保护装置, 以确保用电安全 1. pls suggest the client to instal the unde voltage protection device and surge protection device to ensure Electricity safety</p> <p>2. 电源作为整灯灯具中的一个零部件与终端设备结合使用, 因EMC性能受LED灯具及走线的影响, 终端设备制造商需对整套装置重新进行EMC确认。 2. The power supply is considered a component which will be installed a final equipment. The final equipment must be re-confirmed that it still meets EMC directives.</p> <p>3. 客户在使用电源时, 注意电源通风散热和环境温度, 超过TA时要做降额使用 3. Becareful of ambient temperature and heat dissipation during the client use this unit, When exceeding TA, the power supply shall be derated</p>		

### 测试数据/Test data

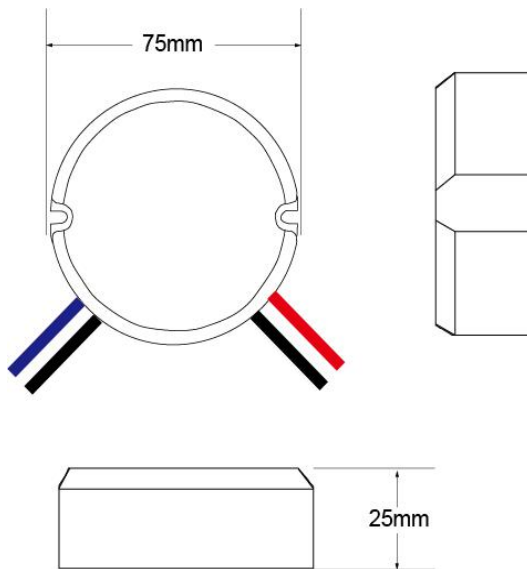
输入电压 Input voltage ( Vac)	输入电流 Input current ( mA)	输入功率 Input power ( W)	功率因数 PF	输出电压 Output voltage ( Vdc)	输出电流 Output current ( mA)	输出功率 Output Power ( W )	转换效率 Efficiency (%)
120V	268.70	32.18	0.998	40.00	668	26.72	83.0%
	237.30	28.43	0.996	35.00	682	23.87	84.0%
	206.30	24.72	0.994	30.00	690	20.70	83.7%
	174.60	20.92	0.990	25.00	700	17.50	83.7%
	130.10	15.30	0.981	18.00	704	12.67	82.8%

## 调光测试效果Dimming effect

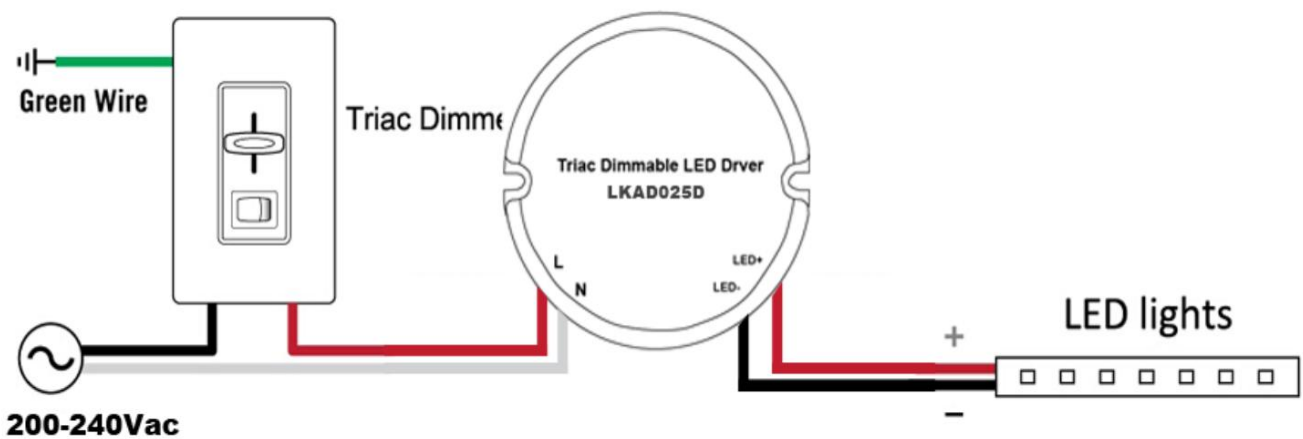
(负载50V测试/Test load voltage 50V)

编号 NO	调光器型号 Dimmer Type	最小电流 Min current (mA)	最大电流 Max current(mA)	调光比 Dimming ratio	调光效果 Dimming effect
1	LEVITON 666 150W	0mA	700mA	0-100%	OK
2	TCL-004 800W	35mA	700mA	5-100%	OK
3	LC211 300W	0mA	700mA	0-100%	OK
4	TLC-003 300W	35mA	700mA	5-100%	OK
5	LUTRON-TTCL-100 250W	70mA	700mA	10-100%	OK
6	DINNER SB-1 600W	0mA	700mA	0-100%	OK

## 产品尺寸图/ Product Size Diagram



## 产品接线示意图/ Product Connection Diagram



备注/Note:

"1. 所有没提及到的参数都是在230V输入，额定负载和在周围温度为25°C的情况下测试的；  
All parameters NOT specially mentioned are measured at 230VAC input, rated load and 25 of ambient temperature;

2.注意接线的方向，不要搞反输入和输出端

Pay attention to the direction of wiring, do not reverse the input and output terminals

**广东领冠智能科技有限公司**

**Guangdong Linkuan Smart Tech Co.,Ltd**

地 址：广东省东莞市万江区大莲塘工业区3号

Address: NO.3 Building, Daliantang Industrial Park,  
Wanjiang

District,Dongguan,Guangdong,China

Tel:+86-769-23129651 Fax:+86-23129652

I





