



- 120-277VAC (50/60Hz) 输入 / 120-277VAC (50/60Hz) Input
- 隔离高PF无频闪方案。采用最新的调光信号与主输出的隔离调光认证方案 Flicker free with high PF isolation, . Using the latest dimming signal and main output isolation dimming certification scheme
- 高效率、高功率因素，高稳定性，高调光比 High efficiency, high power factor, high stability, high light ratio
- 短路保护, 过流保护, 过压保护, 过温保护 / Short circuit, over voltage, over current and over temperature protection;
- 多重调光方式可选择 (0/1-10V V-R PWM Traic); Multiple dimming modes are optional.
- 防护等级 IP65 degree of protection IP65;
- 实现了真正的0-10V调光，全程无频闪，兼容市场上所有的调光控制系统。 It realizes true 0-10V dimming, no flicker in the whole process, and is compatible with all dimming control systems in the market.
- 3年质保期 / 3 years warranty.
- 调光输出高频的PWM信号，可以实现任何功率段的调光。 Dimming output with high frequency PWM signal and can

产品参数/Specification

Model		LKAD220V-T	备注
输入 Input	输入电压范围/Input Voltage range	120-277V	
	频率/Frequency	50/60hz	
	谐波/THD	≤15%	
	功率因数/Power factor	0.999/120VAC	
	输入电流 Input current (mA)	1850MA/120VAC	
	待机功耗 stand_by power	≅3.5W	
	浪涌电流 Inrush Current (Max.)	≤68A@277VAC	
	漏电流 Leakage Current	<1MA/277VAC	
输出 Output	额定电压/Rated voltage	24V	
	空载电压/No-load Voltage	≅24.5V	
	工作电压范围/working voltage range	23.5-24.2V	
	可选择电压规格/selectable voltage specs	12V/24V/48V	
	电压精度/Current tolerance	(+/-) 1%	
	额定功率/Rated power	200W	
	开机延时/Setup Time	≤0.5s/120VAC	
	输出线性调整率Output Line Regulation	±3%	
温度漂移temperature drift	±3%		
保护特性	开路保护 Output open circuit protection	有/Enable	
	短路保护Short Circuit Protection	打嗝模式/Hiccup mode	
使用环境 Environmen	工作温度/湿度要求 Operating Temp./RH	-30~+45℃/20~95%	

Requirements	储存温度, 湿度要求 Storage Temp. /RH	-40~+80°C/10~95%	
安全和电磁兼容 Safety & EMC	认证编号/Certificate	UL认证/ UL APPROVED	
	耐压 withstand voltage	3750VAC/60S	
	绝缘阻抗insulation resistance	500V>100M	
	浪涌等级EMS immunity	IEC6100-4-5 (L-N:1KV)	
	安规标准Safety standard	EN61347, GB19510	
	电磁干扰electromagnetic interference	EN55015, EN61000-3-2	
其他 Others	电磁抗干扰Electromagnetic Susceptibility	EN61000-4-2. 3. 4. 5. 6. 8. 11. EN61547	
	IP等级说明 IP level description	IP65	
	质保说明Warranty instructions	3年/3 years	
	尺寸/Size	210*95.5*40mm	
注意事项 matters needing attention	重量/Netweight	550g	
	<p>1. 建议客户在灯具供电回路中安装过欠压保护与浪涌保护装置, 以确保用电安全 1. pls suggest the client to instal the unde voltage protection device and surge protection device to ensure Electricity safety</p> <p>2. 电源作为整灯灯具中的一个零部件与终端设备结合使用, 因EMC性能受LED灯具及走线的影响, 终端设备制造商需对整套装置重新进行EMC确认。 2. The power supply is considered a component which will be installed a final equipment. The final equipment must be re-confirmed that it still meets EMC directives.</p> <p>3. 客户在使用电源时, 注意电源通风散热和环境温度, 超过TA时要做降额使用 3. Becareful of ambient temperature and heat dissipation during the client use this unit, When exceeding TA, the power supply shall be derated</p>		

测试数据/Test data

输入电压 Input voltage (Vac)	输入电流 Input current (mA)	输入功率 Input power (W)	功率因数 PF	输出电压 Output voltage (Vdc)	输出电流 Output current (MA)	输出功率 Output Power (W)	转换效率 Efficiency (%)
120V	237.60	28.55	0.986	24.00	1000	24.00	84.1%
	1313.00	159.90	0.999	24.00	6000	144.00	90.1%
	1900.00	224.00	0.990	24.00	8330	199.92	89.3%
240V	144.00	28.62	0.817	24.00	1000	24.00	83.9%
	643.60	156.70	0.991	24.00	6000	144.00	91.9%
	892.00	217.00	0.992	24.00	8330	199.92	92.1%
277V	141.10	27.97	0.712	24.00	1000	24.00	85.8%
	567.80	155.10	0.978	24.00	6000	144.00	92.8%
	778.00	214.70	0.987	24.00	8330	199.92	93.1%

调光测试效果Dimming effect

(欧规240V品牌调光器测试/European)

编号 NO	调光器型号 Dimmer Type	最小瓦数 Minimum wattage(W)	最大瓦数 Maximum wattage (W)	调光比 Dimming ratio	调光器种类 The type of dimmer	备注 remarks
1	T&J 25-1000W	26.19	196.50	13.33%	Leading	p
2	Lautrupvang DK-275D	16.53	188.50	8.77%	Trailing	p
3	JUNON 300W	29.30	201.50	14.54%	Trailing	p
4	MEISUN 1000W220V	37.67	201.50	18.69%	Leading	p
5	Nader Cscrnaider	4.74	201.70	2.35%	Leading	p
6	CLIPSAL 500VA	15.89	135.00	11.77%	Leading	p

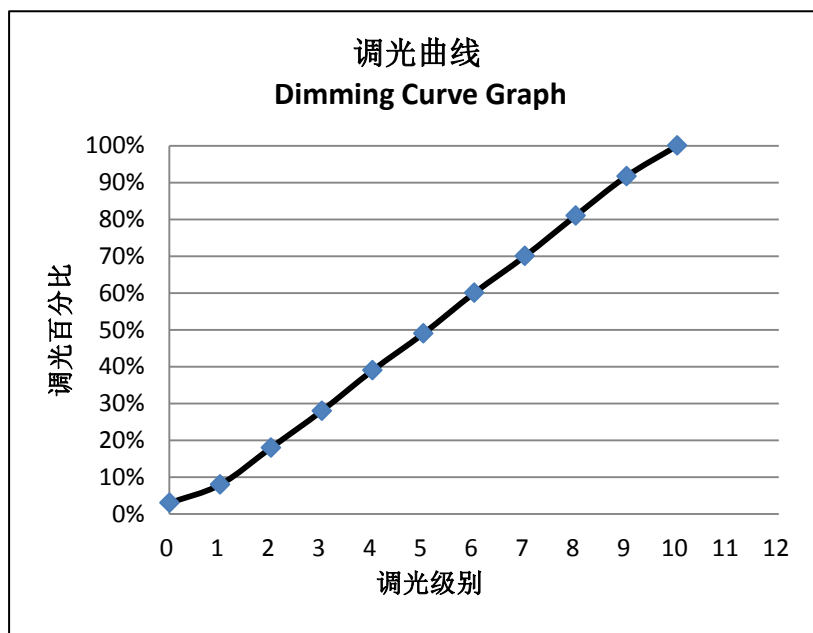
7	Midea 220V 630W	37.58	201.10	18.69%	Leading	p
8	European-No 1	11.74	186.50	6.29%	Trailing	p
9	TCL 630W 220V	6.42	201.10	3.19%	Leading	p
10	SHYUSLC UK-PRD400VA	11.40	160.80	7.09%	Trailing	p

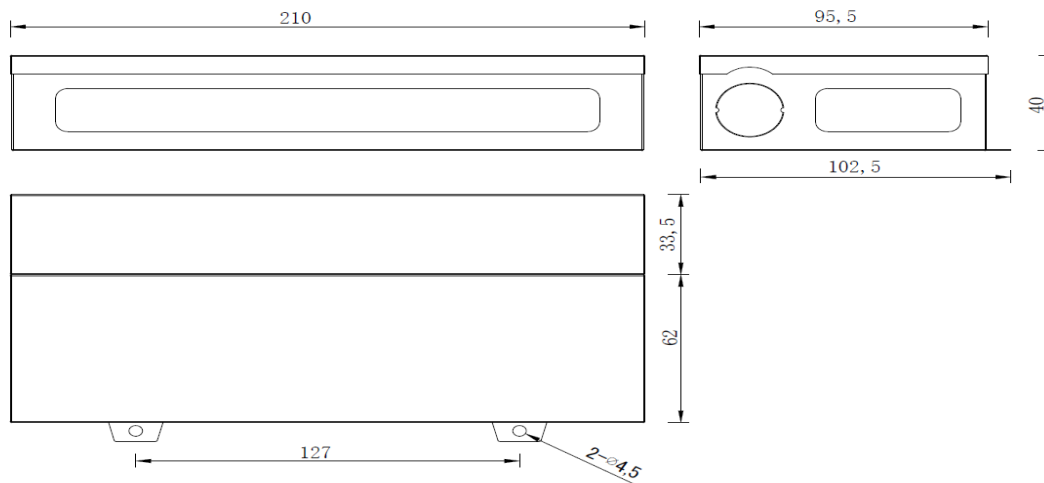
调光测试效果Dimming effect (美规120V品牌调光器测试/Testing of

编号 NO	调光器型号 Dimmer Type	最小瓦数 Minimum wattage(W)	最大瓦数 Maximum wattage (W)	调光比 Dimming ratio	调光器种类 The type of dimmer	备注 remarks
1	Lutron SB-1 600W	17.40	179	9.72%	Leading	P
2	LC211	2.40	166	1.44%	Leading	P
3	Lutron TTCL100	48.20	162	29.81%	Leading	P
4	TLC-0005	3.80	172	2.21%	Trailing	P
5	PEC-002	2.62	175	1.50%	Leading	P
6	TLC-0003	2.42	175	1.38%	Leading	P
7	LEVLTON 150W	50.00	195	25.64%	Leading	P
8	Lutron sd-153p	62.00	150	41.39%	Leading	P

0-10V调光测试数据Dimming test data

输入电压 Input voltage (Vac)	输入电流 Input current (mA)	输入功率 Input power (W)	功率因数 PF	输出电压 Output voltage (Vdc)	调光比 Dimming ratio	调光电压 Dimming voltage (V)	备注 remarks
120	1753.00	208.20	0.997	24	100.00%	10	P
120	1666.00	198.50	0.999	23.47	91.70%	9	P
120	1451.00	173.10	0.999	22.37	81.00%	8	P
120	1224.00	146.00	0.999	21.11	70.00%	7	P
120	1037.00	123.60	0.999	20	60.00%	6	P
120	831.30	99.20	0.998	18.85	49.00%	5	P
120	627.50	74.87	0.998	17.6	39.00%	4	P
120	447.90	53.50	0.997	16.5	28.00%	3	P
120	263.70	31.50	0.99	15.33	18.00%	2	P
120	97.50	10.78	0.924	14.24	8.00%	1	P
120	38.63	2.30	0.5	0.00	3.00%	0	P





产品接线示意图/ Product Connection Diagram



备注/Note:

"1. 所有没提及到的参数都是在230V输入，额定负载和在周围温度为25℃的情况下测试的；
All parameters NOT specially mentioned are measured at 230VAC input, rated load and 25 of ambient temperature;

2.注意接线的方向，不要搞反输入和输出端。

广东领冠智能科技有限公司

Guangdong Linkuan Smart Tech Co.,Ltd.

地 址：广东省东莞市万江区大莲塘工业区3号
Address: NO.3 Building, Daliantang Industrial Park,
Wanjiang District, Dongguan, Guangdong, China
Tel:+86-769-23129651 Fax:+86-23129652